



# JUNG PUMPEN COMPLI

RESIDENTIAL TECHNOLOGY

SEWAGE LIFTING STATIONS

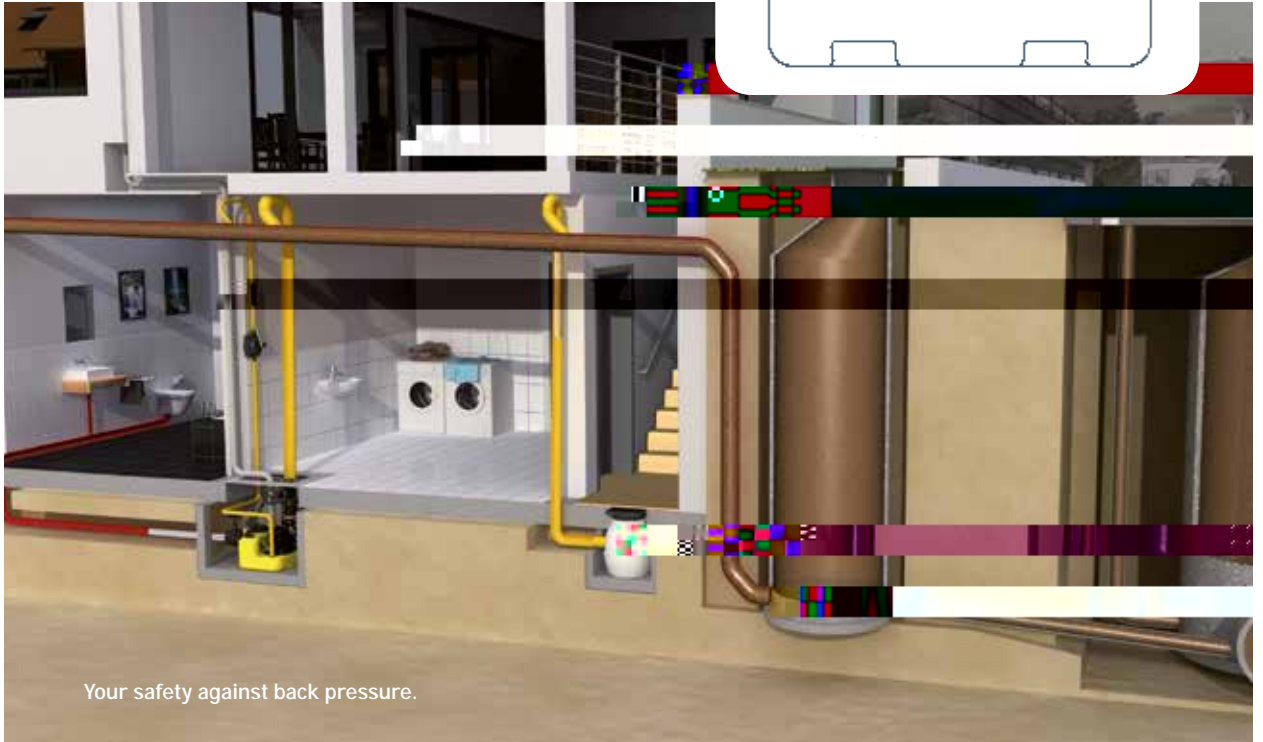
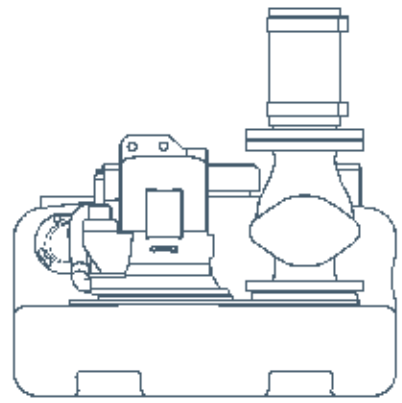






# COMPLI SEWAGE LIFTING STATIONS READY TO PLUG-IN • POWERFUL

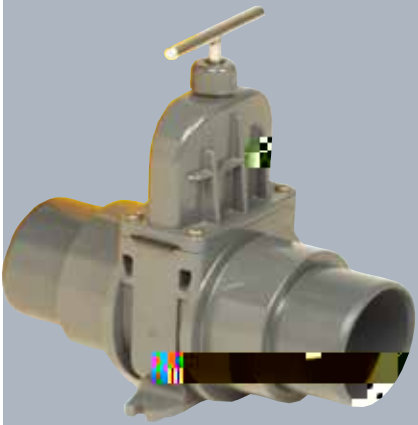
---



NUMBERS - DATES - FACTS



Height adjustable clamping flange  
complli 400



PVC inlet sluice valve  
DN 100 or DN 150, with pipe sockets  
bonded in, for the time-saving and  
space-saving direct connection to the  
inlet clamping flange.

## COMPLI SEWAGE LIFTING STATIONS - CONVINC

